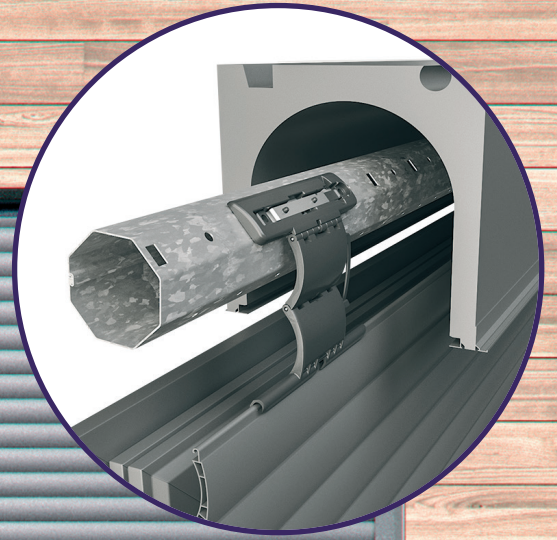




**ZURFLÜH-FELLER**



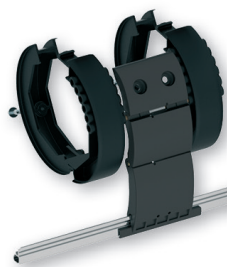
**A wide range of locking devices  
for Octagonal tubes**  
Safety, reliability and ease-of-use:  
the keys to ZF quality



*Autolock for  
Octagonal tubes*

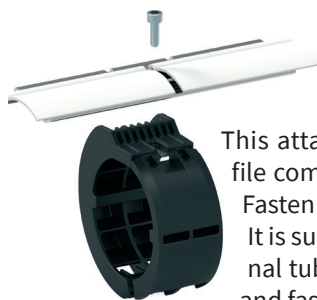
## “Burglar resistant” ZF range:

- An advantage for your self-learning motors with automatic limit switch
- Meets standard NF EN 13659



### Blocksur autolock

Burglar-resistant safety product particularly suitable for traditional roller shutters, roll-up garage doors, etc.



### Heavy-duty shutter attachment

This attachment consists of an aluminium profile combined with a white extruded PVC guard. Fasten the attachment simply by clipping it on. It is suitable for ZF 64, ZF 80 and 70 mm Octagonal tubes. The removable profile provides easy and fast access.



### Octoclick autolock

Suitable for various octagonal tubes on the market

- ⊕ Secured to tube by a wire clip
- ⊕ Easier on-site shutter installation with its removable and reversible curtain connection strip for 8 mm or 14 mm laths



### Clickocto autolock

Suitable for various octagonal tubes on the market

- ⊕ Secured to tube by a wire clip
- ⊕ Two versions: one for 8 mm laths and another for 14 mm laths



### Autolock with rings

The ring connection system makes it easy to fit onto any tube on the market with a 40, 50 and 60 mm octagonal cross-section.

**Quick installation:** no position search.

The rings prevent any contact between the curtain and the tube. This helps to preserve the curtain's appearance.



### OctoEasy

#### Quick and easy to install

- ⊕ No specific tools required
- ⊕ Assembled by clipping onto octagonal tube from side in standard 5 x 8 mm slots.

#### Optimized space requirement:

Reduced radial footprint

#### Easy removal:

Lift plastic locking tab to be able to slide the autolock onto the tube

Access from both sides of link

#### 2 versions for both 40 mm Ø and 50/60 mm Ø tubes

Two fastening centre distances available: 60 and 75 mm

Autolock can be fastened onto non-standard tube using screw.

*Available in version with reduced angle for integrated mosquito screens & shades!*

## Range of rigid coupling devices



### Rigid attachment 3 (AR3)

- ⊕ Quick installation: Assembled by clipping onto the octagonal tube from the side in standard 5 x 8 mm slots using rivets or screws.
- ⊕ Easy removal: Lift plastic locking tab to be able to slide the autolock onto the tube, access from both sides of link
- ⊕ Adapts to the various octagonal tubes on the market
- ⊕ Two fastening centre distances available: 60 and 75 mm
- ⊕ Autolock can be fastened onto non-standard tube using screw

### Curtain coupling profile for 14 mm lath

- ⊕ Used to switch from 8 to 14 mm lath



11 Rue des Herbiers  
25190 Noirefontaine – France  
Tel.: +33 (0)3 81 99 33 00  
Fax: +33 (0)3 81 99 33 40

[std@zurfluh-feller.com](mailto:std@zurfluh-feller.com)  
[www.zurfluh-feller.fr](http://www.zurfluh-feller.fr)